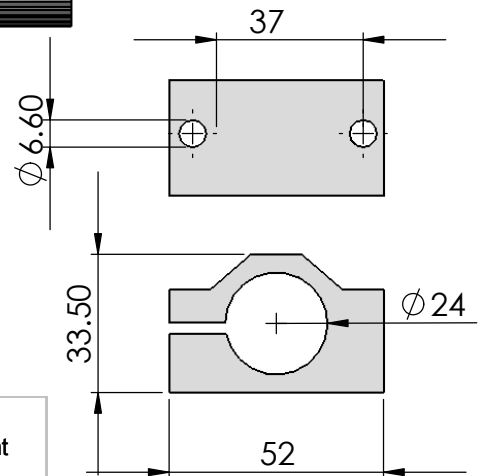


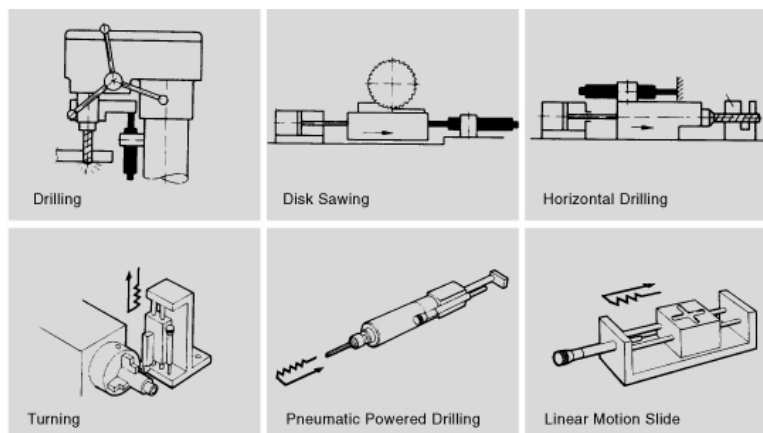
Adoni Hydraulic Speed Controllers are used for all kinds of Cutting tools which use continuous feeding speed. It has a completely sealed construction with anti-dust friction to prevent oil leakage, perfect for using in special environment. Feeding speeds are adjustable infinitely over the complete range of the adjustment.



TECHNICAL DETAILS

Model	A	B	Max Stroke	Max Load	Weight
TSC-15	151	136	15	15-350 KGF	470 g
TSC-30	202	172	30	15-350 KGF	495 g
TSC-60	254	194	60	15-350 KGF	615 g
TSC-80	336	256	80	15-350 KGF	690 g
TSC-100	390	290	100	15-350 KGF	765 g

APPLICATION EXAMPLE



Note- Dimensions are subject to changes without prior notice.