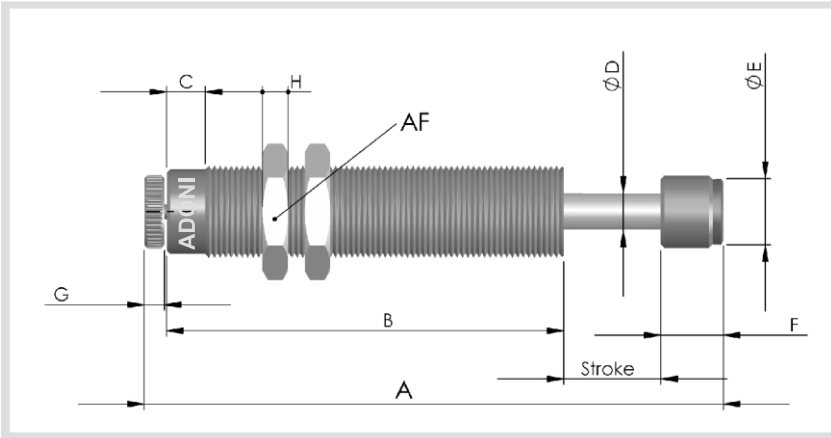


## Small Series



- Two locknuts inclusive
- Hydraulic Hardness Adjustable
- Spring Return
- Urethane Striker Cap
- Special Anticorrosive Finish
- Hardened and polished rod
- Special Viton Seals
- Adjustment axially at Bottom
- Nitrided wear parts for higher life
- Stainless steel model available on request

### Technical Details

#### Dimensions in Millimeters

Model	Thread	A	B	C	D	E	F	G	H	AF
AD 14-10-F	M 14X1	84	61	10.5	4	10	8	3.5	4	19
AD 14-10-M	M 14X1.5	84	61	10.5	4	10	8	3.5	4	19
AD 14-10-U	9/16-18UNF	3.3	2.4	0.4	0.2	0.4	0.3	0.1	0.2	0.7
AD 16-13-F	M 16X1	107	74	10.5	6	14	12	3.5	5	22
AD 16-13 M	M 16X1.5	107	74	10.5	6	14	12	3.5	5	22
AD 20-20M	M 20X1.5	128	88	10.5	6	14	12	5.5	6	26
AD 20-20U	3/4-16 UNF	5.0	3.5	0.4	0.2	0.6	0.5	0.2	0.2	1.0
AD 20-50 M	M 20X1.5	229.0	160.0	10.5	6.0	14.0	12.0	5.5	6.0	26.0
AD 22-20M	M 22X1.5	128	88	10.5	6	14.0	12.0	5.5	6	26
AD 25-25-M	M25X1.5	151	108	12	8	16	12	5.5	7	30
AD 25-25-U	1-12 UNF	5.9	4.3	0.5	0.3	0.6	0.5	0.2	0.3	1.2
AD 26-25-M	M26X1.5	151	108	12	8	16	12	5.5	7	30
AD 25-40-M	M25X1.5	189	129	12	8	16	12	5.5	7	30
AD 25-40 U	1-12 UNF	7.4	5.1	0.5	0.3	0.6	0.5	0.2	0.3	1.2

### Performance Table

Model	Stroke	Energy	Absorbtion	Effective Mass		Spring Force		Wt. Gm
		Nm/stroke	Nm/h	Min.Kg.	Max.Kg.	Min.N.	Max.N.	
AD 14-10 FMU	10	5	15000	0.7	55	4	8	65
AD 16-13 FM	13	17	25000	1.5	160	4	11	105
AD 20-20 MU	20	25	35000	2	220	12	19	190
AD 20-50 MU	50	60	60000	10	400	6	17	219
AD 22-22 M	20	25	35000	2	220	12	9	90
AD 25-25 MU	25	85	70000	10	1500	12	28	340
AD 26-25 M	25	85	70000	10	1500	12	28	345
AD 25-40 MU	40	130	117,000	10	2100	6	17	395

Note- Dimensions are subject to changes without prior notice.